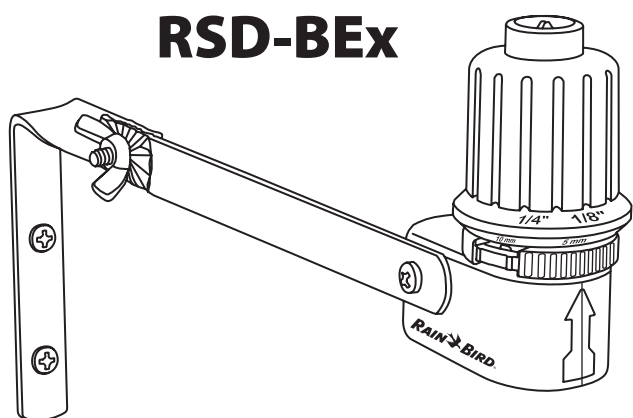


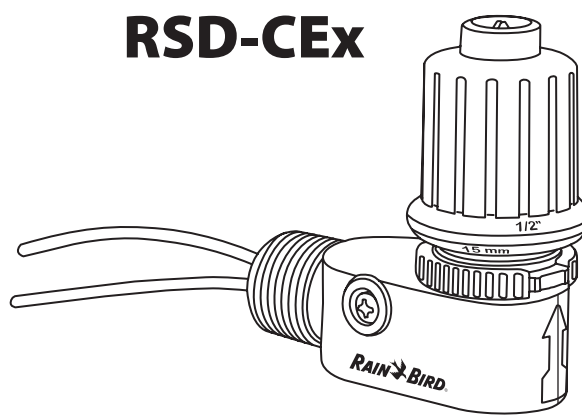


RSD Rain Sensor

RSD-BEx

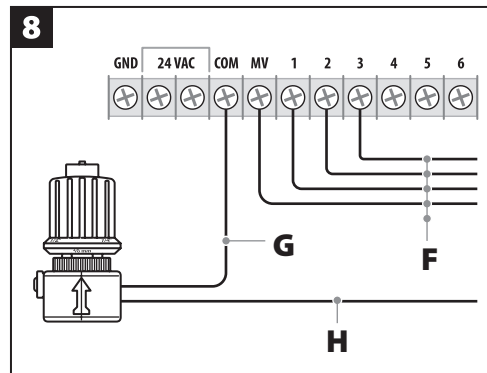
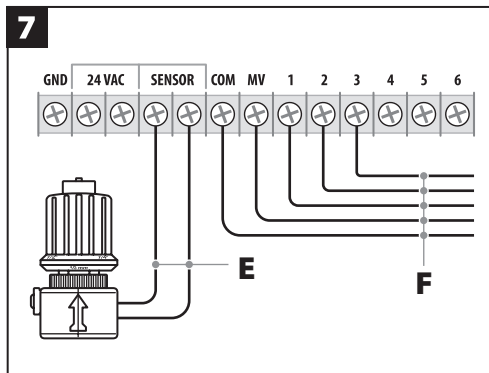
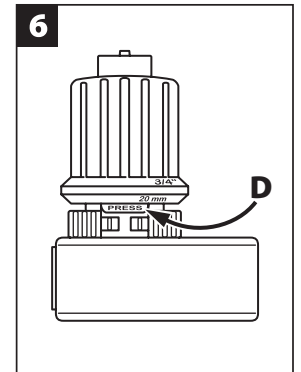
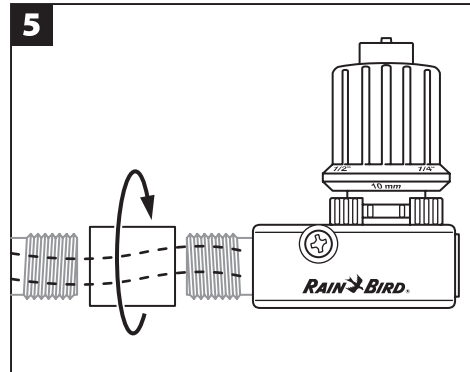
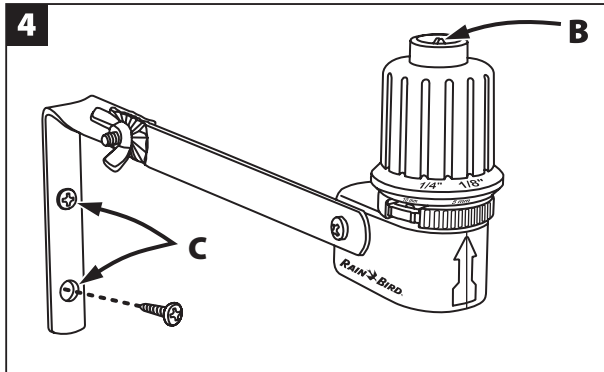
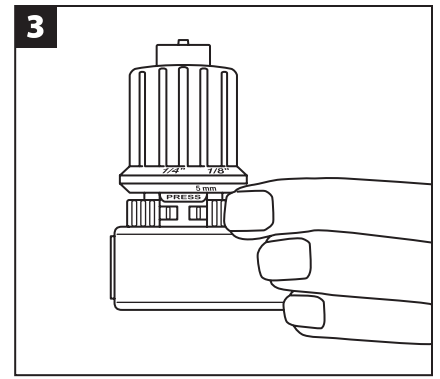
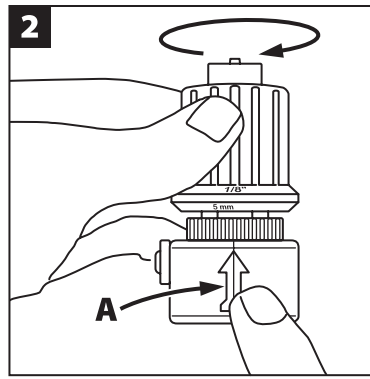
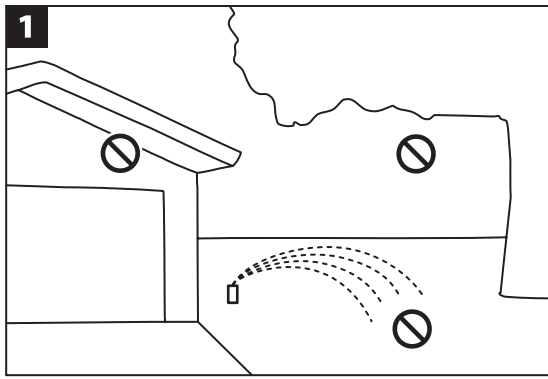


RSD-CEx



Contents

English User Guide	1
Guía del usuario - Español.....	2
Guide de l'utilisateur en français	3
Manual do utilizador em português	4
Guida utente in italiano	5
Deutsches Benutzerhandbuch	6
Nederlandse gebruikershandleiding.....	7
Ελληνικός Οδηγός Χρήσης.....	8
Türkçe Kullanıcı Kılavuzu	9
Instrukcja obsługi w języku polskim.....	10
Česká příručka uživatele.....	11
Svensk bruksanvisning	12



E Red and black
 Rojo Y Negro
 Rouge Et Noir
 Vermelho E Preto
 Rosso E Nero
 Rot Und Schwarz
 Rood en zwart
 Κόκκινο και μαύρο
 Kırmızı ve siyah
 Czerwony i czarny
 Červený a černý
 Röd och svart

F To valves
 A las válvulas
 Vers les vannes
 Às válvulas
 Alle elettrovalvole
 An ventile
 Naar kleppen
 Προς τις βαλβίδες
 Vanalara
 Do zaworów
 K ventilům
 Till ventiler

G Red
 Rojo
 Rouge
 Vermelho
 Rosso
 Rot
 Rood
 Rood
 Κόκκινο
 Kırmızı
 Czerwony
 Červený
 Röd

H Black to disconnected common wire
 Negro al cable común desconectado
 Noir vers les câbles communs déconnectés
 Preto ao fio comum desligado
 Nero al cavo comune scollegato
 Schwarz an den abgetrennten Nullleiter
 Zwart naar ontkoppelde gemeenschappelijke draad
 Μαύρο προς αποσυνδεδεμένο κοινό καλώδιο
 Bağlantısı kesilmiş ortak tele giden siyah kablo
 Czarny do odłączonego przewodu wspólnego
 Černý k odpojenému nulovému vodiči
 Svart till fränkopplad gemensam ledare

RSD Rain Sensor

The Rain Bird® RSD Series Rain Sensor is an easy to install, durable and visually pleasing rain sensor device suitable for 24VAC residential and commercial applications. This high quality product saves water by automatically measuring precipitation amounts and suspends irrigation cycles when watering is unnecessary.

NOTE: The RSD Rain Sensor is a low-voltage device compatible with all 24 volt alternating current (VAC) control circuits and 24 VAC pump start relay circuits. Electrical rating suitable for use with controllers that can actuate up to ten 24 VAC, 7 VA solenoid valves per station, plus one master valve. **DO NOT** use with any 110/250 VAC devices or circuits, such as direct-acting pump start systems or pump start relays.

Selecting a Location

Install the Rain Sensor in a location where it can collect natural precipitation without interference from man-made or natural obstructions. Place the device at a height that deters vandalism. Avoid rain sensor mounting locations such as those shown in **Figure 1**.

DO NOT install the Rain Sensor where the device's ability to collect and record natural precipitation events are affected by sprinklers, rain gutters, trees, etc. **DO NOT** install the Rain Sensor where it could accumulate debris from trees. **DO NOT** install the Rain Sensor in a location exposed to high winds.

Operation

Set Rainfall Setting

The rainfall setting on the sensor determines the amount of rainfall needed to suspend the irrigation watering cycle. You can adjust the rainfall setting from 1/8" to 3/4" (5mm to 20mm). Adjustments are made by turning the sensor dial cap clockwise or counter clockwise. To set the rainfall setting, turn the sensor dial cap until the desired rainfall setting lines up with the arrow on the sensor body (A), as shown in **Figure 2**.

The ideal rainfall setting for your location depends on soil type, wind, amount of direct sunlight the sensor receives as well as frequency and amount of rainfall. The table below gives some guidelines to help determine the appropriate rainfall setting.

Irrigation Site Conditions	Rainfall Setting
<ul style="list-style-type: none"> • Sensor receives long periods of direct sun • Clay-type soils 	1/8" to 1/4" (3mm to 6mm)
<ul style="list-style-type: none"> • Frequent, heavy rains • Sensor mounted in a mostly shady area • Sandy soils 	1/2" to 3/4" (13mm to 20mm)

Set Vent Ring

The vent ring determines "drying time" – the length of time the sensor suspends irrigation after a rainfall. For most installations set the vent ring to the fully open position.

At properties where water has a tendency to pool after a rainfall, partially close the sensor's vent ring. This adjustment to the vent ring extends the period of time that the irrigation cycle is suspended, allowing the property time to drain.

To set the drying time, turn the vent ring below the sensor dial cap to the desired position, as shown in **Figure 3**.

Mounting



NOTE: Follow the installation instructions carefully and install the unit only in full compliance with the National Electrical Code (NEC) or your local electrical code.

Bracket Model

To install the RSD-BEx Rain Sensor bracket model:

1. Select an appropriate mounting location within 25' (7,6m) of your controller. It is not recommended to add additional wire to the provided 25' (7,6m).
2. Drive two mounting screws through the holes (C) in the mounting bracket, as shown in **Figure 4 (C)**. Use the fasteners appropriate for the mounting surface (wood, tile, masonry, etc.).
3. Make sure the rain sensor dial cap is level and free from overhead obstructions.

Conduit Model

To install the RSD-CEx Rain Sensor conduit model:

1. Select an appropriate mounting location within 25' (7,6m) of your controller. It is not recommended to add additional wire to the provided 25' (7,6m).
2. Thread the Rain Sensor's lead wires through an adaptor fitting appropriate for your installation and screw the sensor into the adaptor, as shown in **Figure 5**. It is not recommended to add additional wire to the provided 25' (7,6m).
3. Make sure the rain sensor dial cap is level and free from overhead obstructions.
4. Secure the adapter fitting to the conduit, and then connect the Rain Sensor to the controller using the appropriate procedure as described in the "Rain Sensor Wiring" section.

Rain Sensor Wiring

Controllers With Rain Sensor Terminals

Many modern controllers (such as those from Rain Bird) include built-in terminals for rain sensor lead wires. Dedicated rain sensor terminals are usually labeled "sensor", "SENS", "S" or "SN" on the controller's terminal strip.

1. To connect the rain sensor, remove the jumper wire (if present) from the controller's rain sensor terminals.
2. Connect the red and black lead wires from the rain sensor to the controller's sensor terminals, as shown in **Figure 7**. It does not matter which wire goes to each terminal.

Controllers Without Rain Sensor Terminals

Use the procedure below if your controller does NOT have dedicated rain sensor terminals.

1. Disconnect the wire from the common terminal ("C" or "COM") on the controller's terminal strip. Then connect this wire to the red Rain Sensor lead wire.
2. Connect the black Rain Sensor lead wire to the common terminal ("C" or "COM") on the controller's terminal strip, as shown in **Figure 8**.

Testing the System

After installation; test the sensor to ensure it is working correctly. Turn the controller on to initiate irrigation. Hold down the plunger located on top of the rain sensor as shown in **Figure 4 (B)**. The zone should turn off after a few seconds. If it does not turn off, check your rain sensor wire connections.

Maintenance

The RSD Rain Sensor operates automatically and requires no scheduled maintenance. However, the disks inside the sensor dial cap sometimes become contaminated with debris or insects. If this happens, use the following procedure to clean the Rain Sensor.

1. Turn the dial cap to the 3/4" rainfall setting, as shown in **Figure 2**.
2. Press the tab labeled "Press" on the side of the sensor body, as shown in **Figure 6 (D)**. Then turn the dial cap about 1 1/4 turns further to remove the cap from the sensor body.
3. Remove the plunger and disks from the sensor body and wash them in clean water.
4. Reinstall the plunger and disks. Then reset the rainfall setting to the desired position, as shown in **Figure 2**.



NOTE: If you wash the disks, give them at least 24 hours to dry before reinstalling them. If not, irrigation could be prohibited until they are completely dry.

**English**

In compliance with European directive 2002/96/CE and nom EN50419:2005, this device must not be thrown away with household garbage. The device must be the object of an appropriate, selective removal procedure in order to recuperate it. Your cooperation will contribute to the respect for the environment and the protection of our natural resources.

**Español**

De conformidad con la Directiva europea 2002/96/CE y la norma EN50419:2005, este dispositivo no debe desecharse junto con la basura doméstica. Este dispositivo debe ser objeto de un proceso de retirada apropiado y selectivo para su recuperación. Su cooperación contribuirá al respeto por el medio ambiente y a la protección de nuestros recursos naturales.

**Français**

Conformément à la Directive Européenne 2002/96/CE et à la norme EN50419:2005, cet équipement ne doit pas être jeté avec les ordures ménagères. Il doit faire l'objet d'une collecte sélective appropriée afin de permettre sa valorisation. Par ce geste, vous contribuerez au respect de l'environnement et à la protection des ressources naturelles.

**Português**

Em conformidade com a directiva europeia 2002/96/CE e a norma EN50419:2005, este dispositivo não pode ser eliminado juntamente com o lixo doméstico. O dispositivo tem de ser sujeito a um procedimento adequado de eliminação selectiva para permitir a sua recuperação. A sua cooperação vai contribuir para o respeito pelo meio ambiente e para a protecção dos nossos recursos naturais.

**Italiano**

In conformità con la direttiva Europea 2002/96/CE e la norma EN50419:2005, questo sensore non deve essere gettato nei contenitori dei rifiuti domestici. Questo sensore deve seguire una procedura di raccolta differenziata per poterlo così recuperare. La vostra cooperazione contribuirà a rispettare l'ambiente e a proteggere le risorse naturali.

**Deutsch**

In Übereinstimmung mit der Europäischen Richtlinie 2002/96/CE und der Norm EN50419:2005 darf dieses Gerät nicht in den Hausmüll geworfen werden. Es gehört in den Sondermüll, damit eine umweltgerechte Entsorgung gewährleistet ist und zur Respektierung der Umwelt und zum Schutz unserer natürlichen Ressourcen beigetragen wird.

**Nederlands**

In overeenstemming met de Europese richtlijn 2002/96/CE en norm EN50419:2005, mag dit apparaat niet met het gewone huisvuil verwijderd worden. Dit apparaat dient op de daarvoor aangewezen wijze verwijderd te worden teneinde hergebruik mogelijk te maken. Hierdoor draagt u bij aan een gezonde leefomgeving en het behoud van onze natuur.

**Ελληνικά**

Σύμφωνα με τις διατάξεις της Ευρωπαϊκής οδηγίας 2002/96/ΕΚ και EN50419:2005 αυτή η συσκευή δεν πρέπει να απορρίπτεται με τα οικιακά απορρίμματα. Η συσκευή πρέπει να αποτελεί αντικείμενο μιας κατάλληλης, επιλεκτικής διαδικασίας απομάκρυνσης για την ανάκτησή της. Η συμμετοχή σας θα βοηθήσει στον σεβασμό απέναντι στο περιβάλλον και στην προστασία των φυσικών πόρων.

**Türkçe**

Avrupa Direktifi 2002/96/CE ve EN50419:2005 normu uyarınca bu cihaz konutlara ait çöplere atılmamalıdır. Bu cihaz, geri kazanılabilesi için, uygun ve kontrollü bir şekilde imha edilmelidir. Bu konudaki duyarlılığınız çevreye saygı ve doğal kaynaklarımızın korunması konularında yardımcı olacaktır.

**Polski**

Zgodnie z dyrektywą europejską 2002/96/WE i normą EN50419:2005 to urządzenie nie może zostać wyrzucone razem z odpadami domowymi. Należy je poddać odpowiedniej procedurze w celu poddania go recyklingowi. Współpraca użytkownika w tym zakresie przyniesie korzyść dla środowiska i pomoże w ochronie zasobów naturalnych.

**Česká**

Ve shodě se směrnicí EU 2002/96/ES a normou ČSN EN50419:2005 nesmí být toto zařízení likvidováno společně s domovním odpadem. Zařízení musí projít odpovídajícím procesem selektivního výběru za účelem jeho správné recyklace. Svoji spolupráci přispějete k ohleduplnosti vůči životnímu prostředí a k ochraně přírodních zdrojů.

**Svensk**

I enlighet med EU-direktiv 2002/96/CE och standarden EN50419:2005, får denna anordning inte kastas i hushållssoporna. Anordningen måste genomgå en lämplig, selektiv demonteringsprocess för att den ska kunna återvinnas. Ditt samarbete bidrar till hänsyn till miljön och bevarandet av våra naturresurser.

Declaration of Conformity**Application of Council Directive 89/336/EEC**

Standards To Which Conformity Is Declared:	EN55022 AS/NZS3548 CLASS A EN50082-1:1992 EN61000-4-2 EN61000-4-3 ENV50204 EN61000-4-4 EN61000-4-6 EN61000-4-8
Manufacturer's Name:	Rain Bird Corporation
Manufacturer's Address:	1000 West Sierra Madre Ave. Azusa, CA 91702 Phone: (626) 963-9311
Equipment Description:	Irrigation Controller
Equipment Class:	Generic Res, Comm, LI – Class A
Model Name:	Rain Sensor

I the undersigned, hereby declare that the equipment specified above, conforms to the above Directive(s) and Standards:

Place: San Diego, CA

Signature:

Full Name: Ryan Walker

Position: Director





Rain Bird Europe SNC

900 Rue Ampère, BP 72000
13792 Aix en Provence Cedex 3
FRANCE

Tel: (33) 4 42 24 44 61
Fax: (33) 4 42 24 24 72

rbe@rainbird.fr - www.rainbird.eu

Rain Bird France SNC

900 Rue Ampère, BP 72000
13792 Aix en Provence Cedex 3
FRANCE

Tel: (33) 4 42 24 44 61
Fax: (33) 4 42 24 24 72

rbib@rainbird.fr - www.rainbird.fr

Rain Bird Ibérica. S.A.

Polígono Ind. Pinares Llanos
c/ Carpinteros, 12, 2ºC
28670 Villaviciosa de Odón, Madrid
ESPAÑA

Tél: (34) 91 632 48 10
Fax: (34) 91 632 46 45

rbib@rainbird.eu - www.rainbird.es
portugal@rainbird.eu - www.rainbird.pt

Rain Bird Corporation

6991 East Southpoint Road
Tucson, AZ 85756 USA
Phone: (520) 741-6100
Fax: (520) 741-6522

Rain Bird Corporation

970 West Sierra Madre Avenue
Azusa, CA 91702 USA
Phone: (626) 812-3400
Fax: (626) 812-3411

Rain Bird International

1000 West Sierra Madre Avenue
Azusa, CA 91702 USA
Phone: +1 (626) 963-9311
Fax: +1 (626) 852-7343

Rain Bird Desutschland GmbH

Oberjesinger Str. 53
71083 Herrenberg-Kuppingen
DEUTSCHLAND

Tel: (49) 07032 99010
Fax: (49) 07032 9901 11

rbd@rainbird.fr - www.rainbird.de

Rain Bird Sverige AB

Fleningeväen 315
260 35 Ödåkra
SWEDEN

Tel: (46) 42 25 04 80
Fax: (46) 42 20 40 65

rbs@rainbird.fr - www.rainbird.se

Rain Bird Turkey

İstiklal Mahallesi,
Alemdağ Caddesi, N° 262
81240 Ümraniye İstanbul
Türkiye

Phone: (90) 216 443 75 23
Fax (90) 216 461 74 52

© 2011 Rain Bird Corporation

® Registered trademark of
Rain Bird Corporation

www.rainbird.com

1-800-RAINBIRD