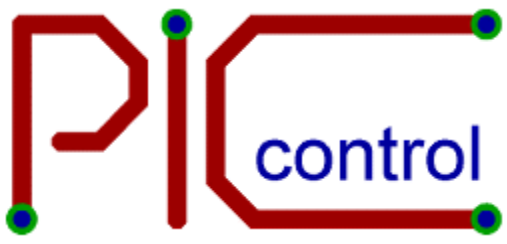
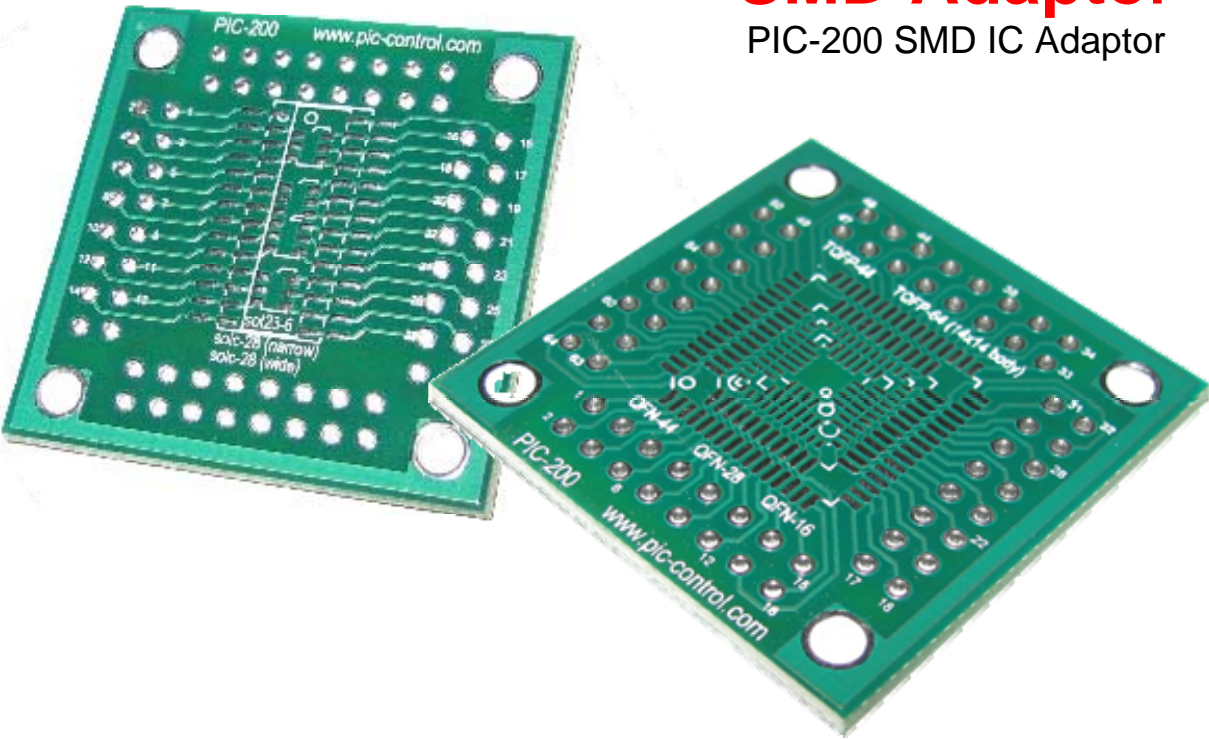


SMD Adaptor

PIC-200 SMD IC Adaptor

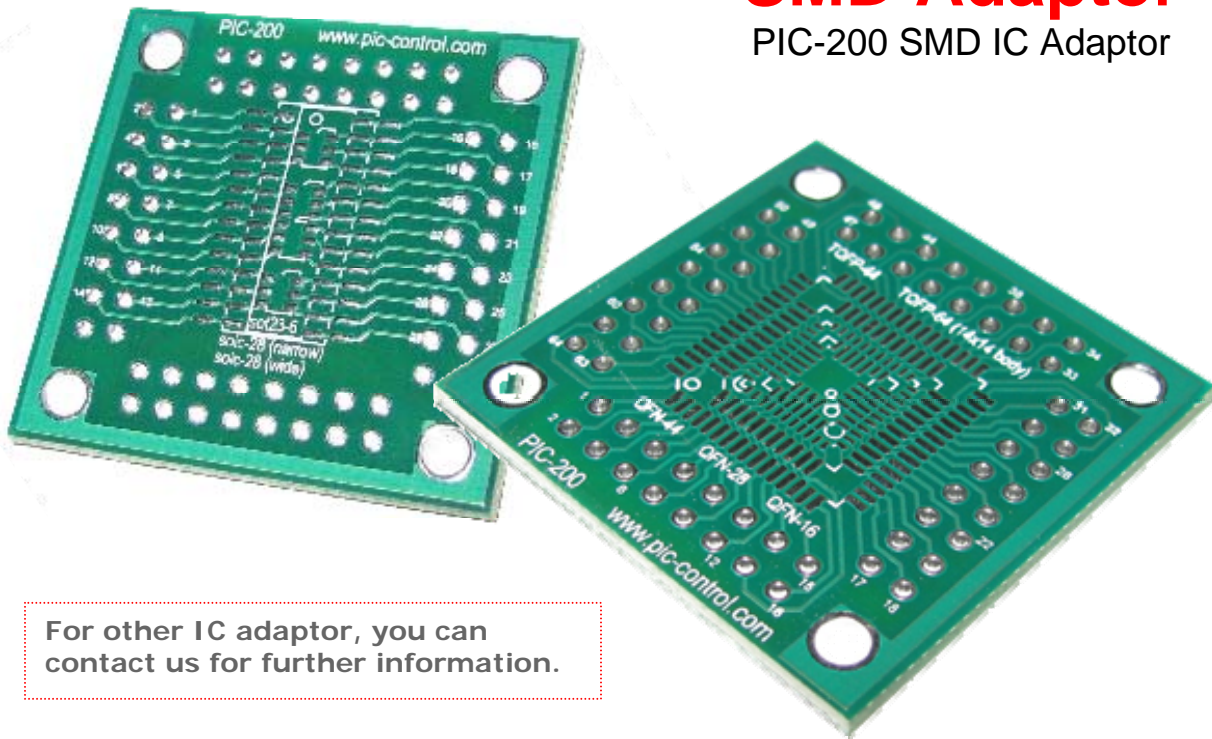


Content

1.	Description	3
2.	Features	3
3.	Mechanical Dimension	4
3.1.	TQFP-44 (10x10x1), 44 pins, pitch 0.8mm	6
3.2.	TQFP-64 (14x14x1), 64 pins, pitch 0.8mm	6
3.3.	QFN-16, 16 pins, pitch 0.65mm	7
3.4.	QFN-28, 28 pins, pitch 0.65mm	7
3.5.	QFN-44, 44 pins, pitch 0.65mm	8
3.6.	SOIC (wide/narrow), 16, 18, 20, 24, 28 pins, pitch 1.27mm	9
3.7.	SOT-23, 3L pins, pitch 0.95mm	10
3.8.	SOT-23, 5L pins, pitch 0.95mm	10
3.9.	SOT-23, 6L pins, pitch 0.95mm	11
3.10.	SOT-23, 12L pins, pitch 0.95mm	11
4.	Specifications & Features	12

SMD Adaptor

PIC-200 SMD IC Adaptor



For other IC adaptor, you can contact us for further information.

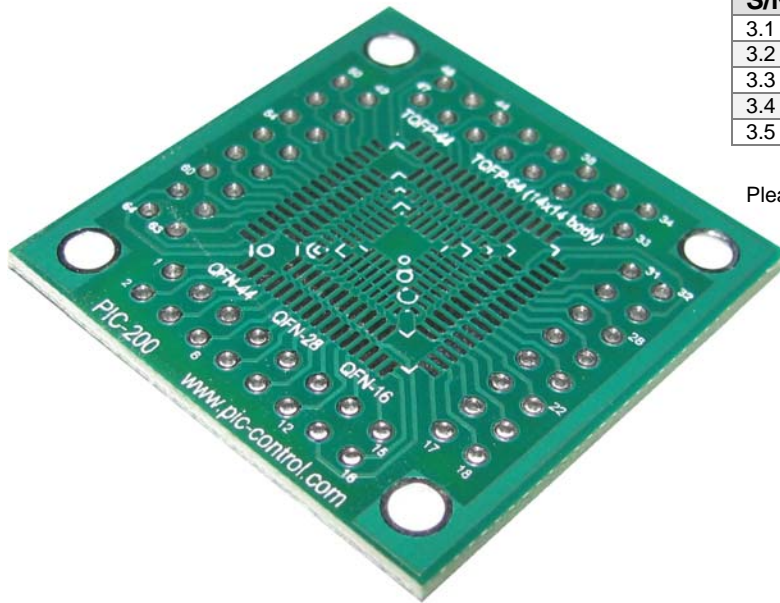
1. Description

SMT adaptor for your prototyping needs. The multi-adaptor board footprints are designed for mounting various type of SMD IC component, converting them to a convenient pin spacing of 2.54mm pitch. PIC-200 SMD IC test adaptor is definitely handy for your prototyping needs.

2. Features

1. Convert SMD pins to header pins 2.54mm pitch (100mil or 0.1 inch)
2. PCB board size 36mm x 36mm x 1.8mm
3. Soldering pad for
 - TQFP-44 (pitch 0.8mm)
 - TQFP-64 (pitch 0.8mm)
 - QFN 16, QFN 28, QFN 44 (pitch 0.65mm)
 - SOIC (wide), pin 16, 18, 20, 24, 28 (pitch 1.27mm)
 - SOIC (narrow), pin 16, 18, 20, 24, 28 (pitch 1.27mm)
 - SOT-23, pin 3L, 5L, 6L, 12L (pitch 0.95mm)

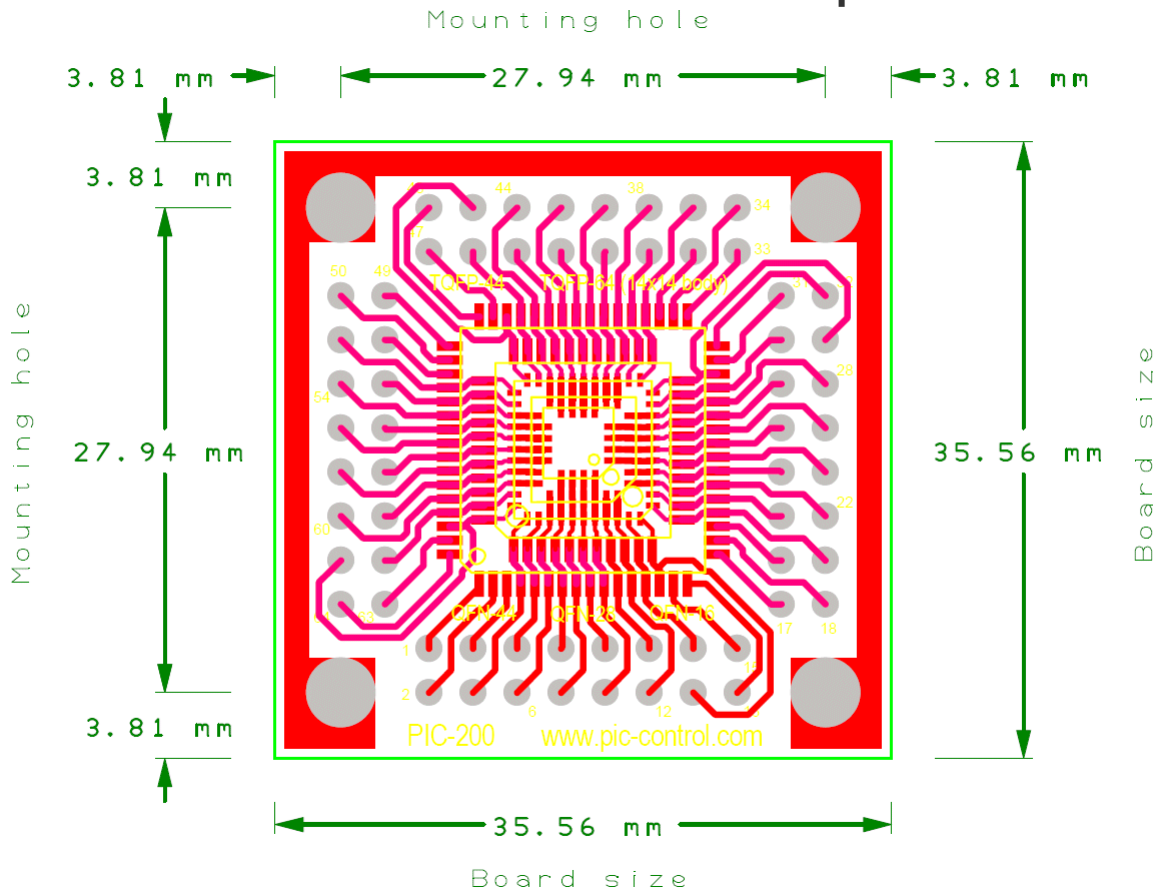
3. Mechanical Dimension

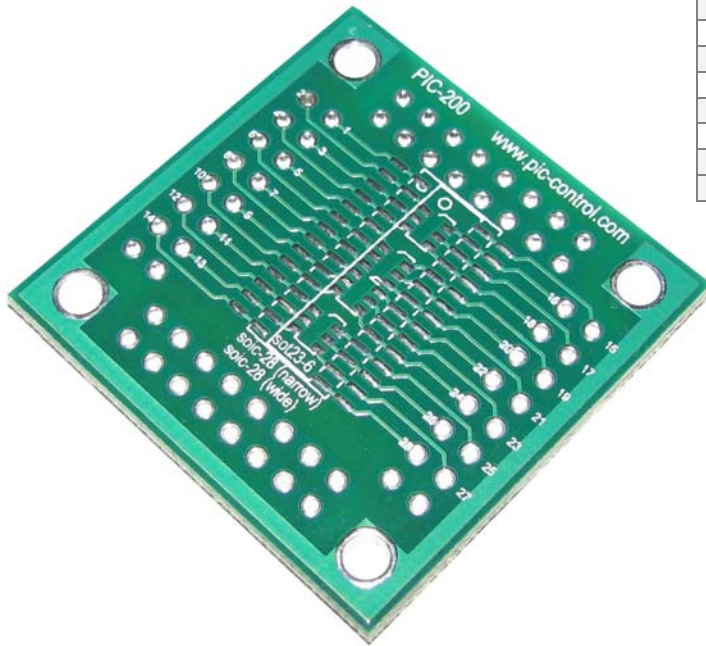


S/N	SMD type	Pin	Pitch
3.1	TQFP-44 (10x10x1)	44	0.8mm
3.2	TQFP-64 (14x14x1)	64	0.8mm
3.3	QFN-16	16	0.65mm
3.4	QFN-28	28	0.65mm
3.5	QFN-44	44	0.65mm

Please refer to the following pages for footprint information.

Top Side

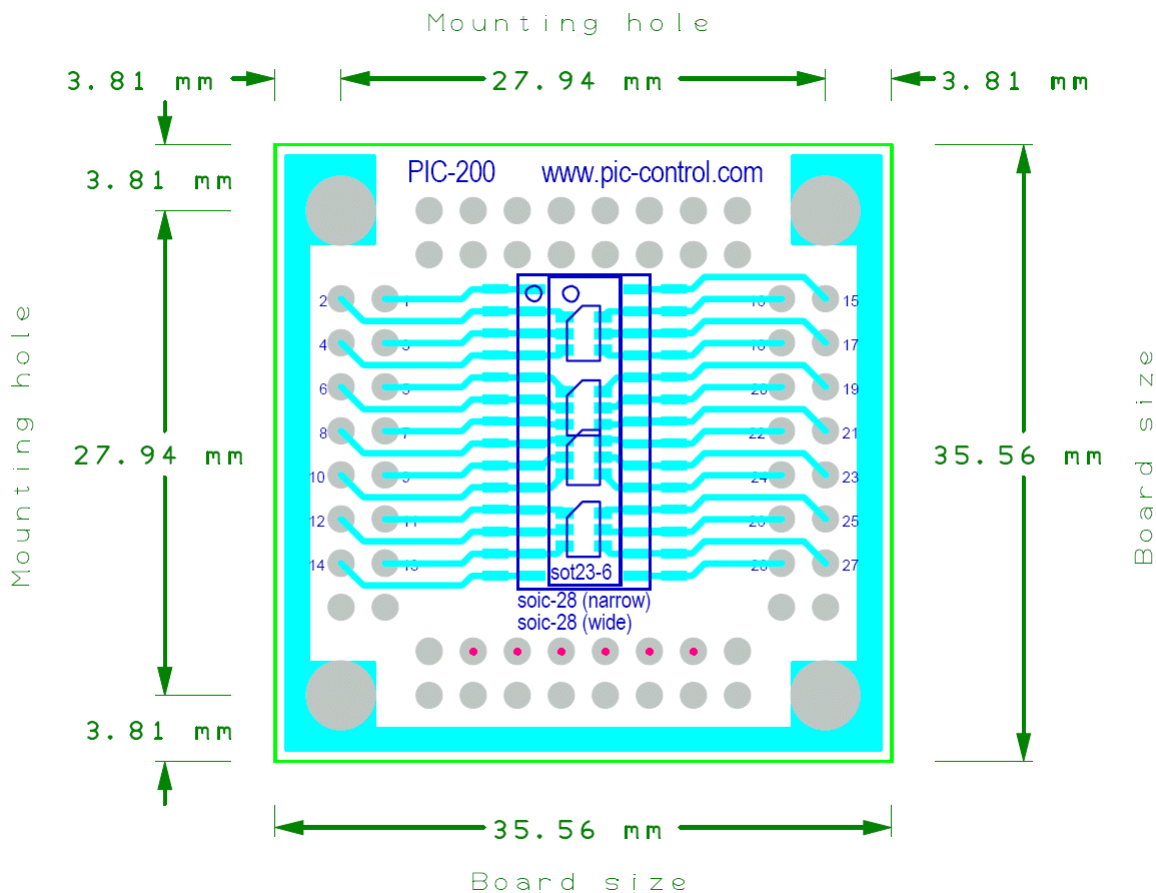




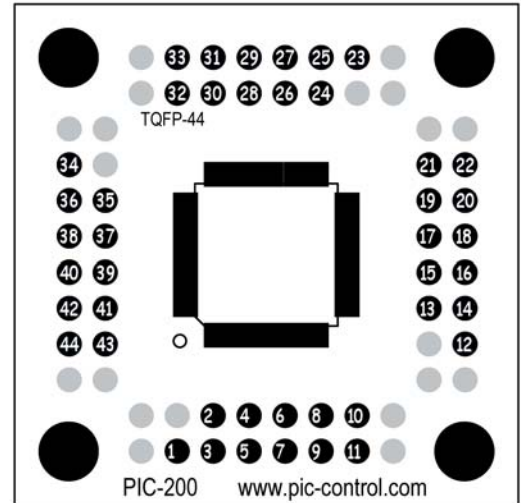
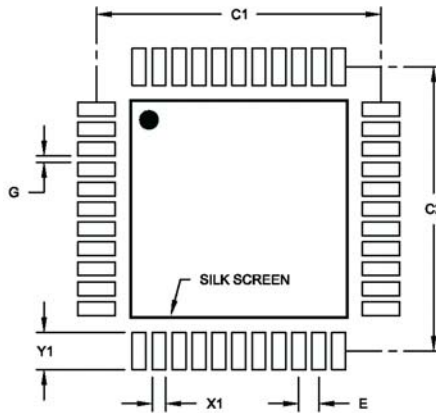
S/N	SMD type	Pin	Pitch
3.6	SOIC (wide/narrow)	16	1.27mm
3.6	SOIC (wide/narrow)	18	1.27mm
3.6	SOIC (wide/narrow)	20	1.27mm
3.6	SOIC (wide/narrow)	24	1.27mm
3.6	SOIC (wide/narrow)	28	1.27mm
3.7	SOT-23	3L	0.95mm
3.8	SOT-23	5L	0.95mm
3.9	SOT-23	6L	0.95mm
3.10	SOT-23	12L	0.95mm

Please refer to the following pages for footprint information.

Bottom Side



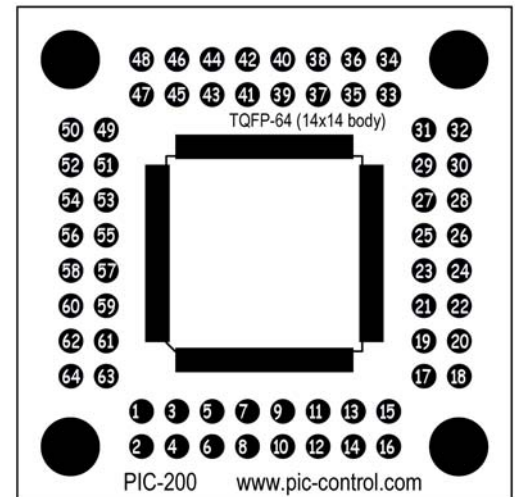
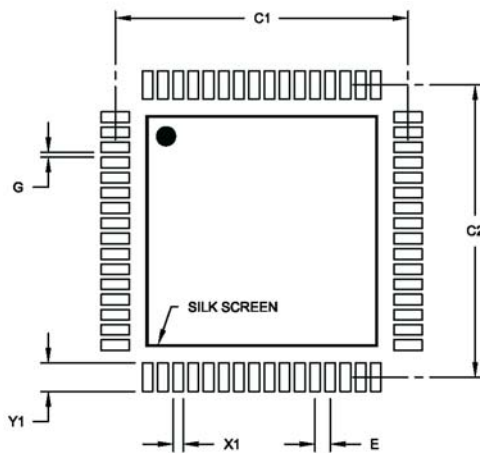
3.1. TQFP-44 (10x10x1), 44 pins, pitch 0.8mm



44-Lead Plastic Thin Quad Flatpack (PF) – 10x10x1mm Body, 2.00mm [TQFP]

S/N	Dimension		Millimeters	Mils
1	Contact pitch	E	0.80	31.5
2	Contact pad spacing	C1	11.40	448.8
3	Contact pad spacing	C2	11.40	448.8
4	Contact pad width (X44)	X1	0.55	21.7
5	Contact pad length (X44)	Y1	1.50	59.1
6	Distance between pads	G	0.25	9.8

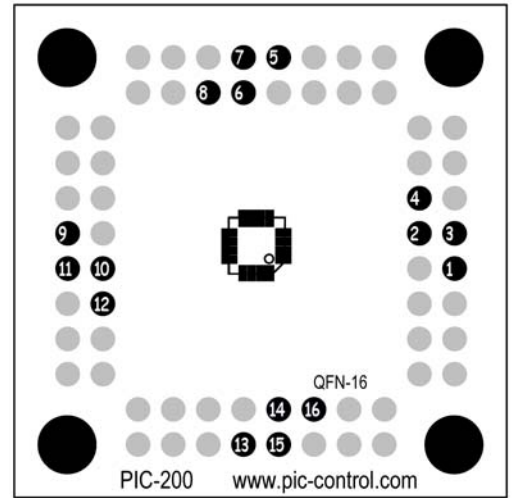
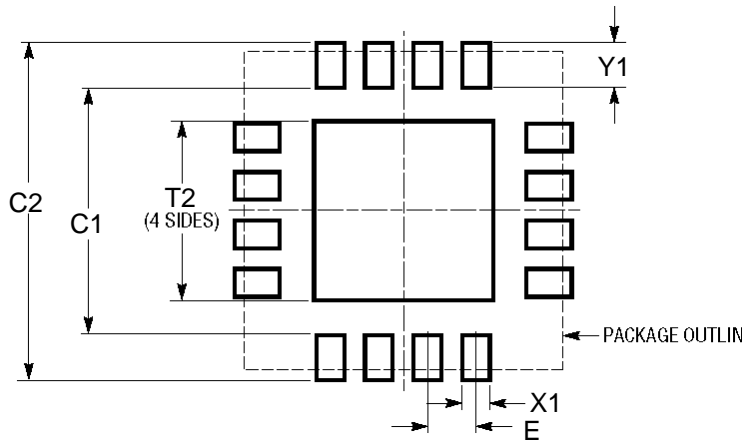
3.2. TQFP-64 (14x14x1), 64 pins, pitch 0.8mm



64-Lead Plastic Thin Quad Flatpack (PF) – 14x14x1mm Body, 2.00mm [TQFP]

S/N	Dimension		Millimeters	Mils
1	Contact pitch	E	0.80	31.5
2	Contact pad spacing	C1	15.40	606.3
3	Contact pad spacing	C2	15.40	606.3
4	Contact pad width (X64)	X1	0.55	21.7
5	Contact pad length (X64)	Y1	1.50	59.1
6	Distance between pads	G	0.25	9.8

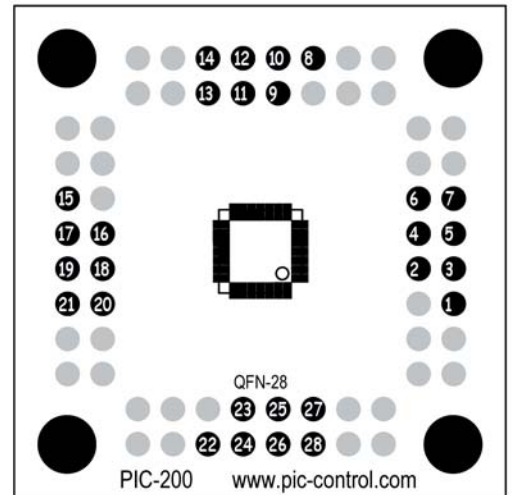
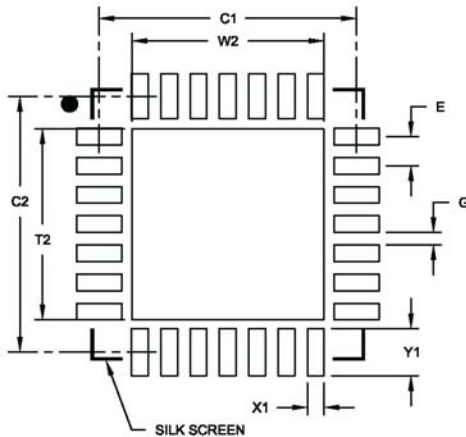
3.3. QFN-16, 16 pins, pitch 0.65mm



16-Lead Plastic Quad Flat, no lead package (ML) – 6x6mm Body [QFN]

S/N	Dimension		Millimeters	Mils
1	Contact pitch	E	0.65	25.6
2	Optional center pad length	T2	2.32	91.3
3	Contact pad spacing	C1	3.00	118.1
4	Contact pad spacing	C2	5.00	196.9
5	Contact pad width (X44)	X1	0.37	14.6
6	Contact pad length (X44)	Y1	1.00	39.4

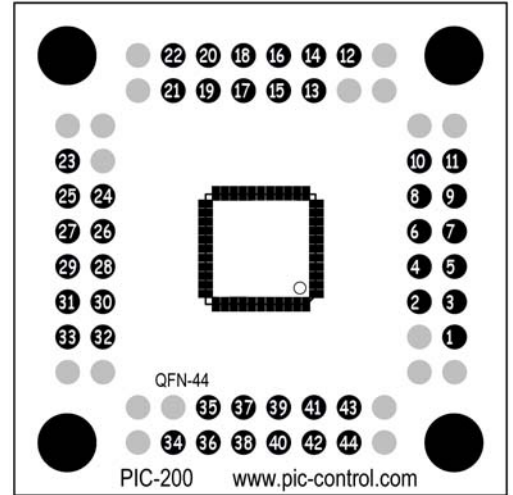
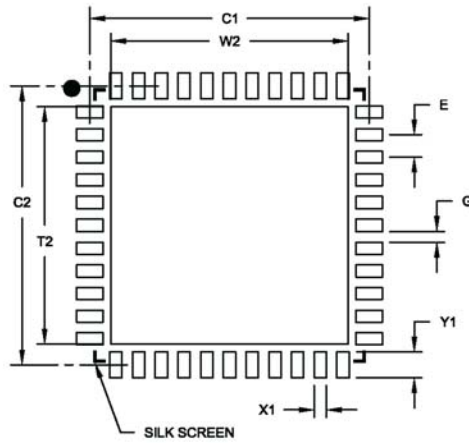
3.4. QFN-28, 28 pins, pitch 0.65mm



28-Lead Plastic Quad Flat, no lead package (ML) – 6x6mm Body [QFN]

S/N	Dimension		Millimeters	Mils
1	Contact pitch	E	0.65	25.6
2	Optional center pad width	W2	4.25	167.3
3	Optional center pad length	T2	4.25	167.3
4	Contact pad spacing	C1	5.70	224.4
5	Contact pad spacing	C2	5.70	224.4
6	Contact pad width (X44)	X1	0.37	14.6
7	Contact pad length (X44)	Y1	1.00	39.4
8	Distance between pads	G	0.28	11.0

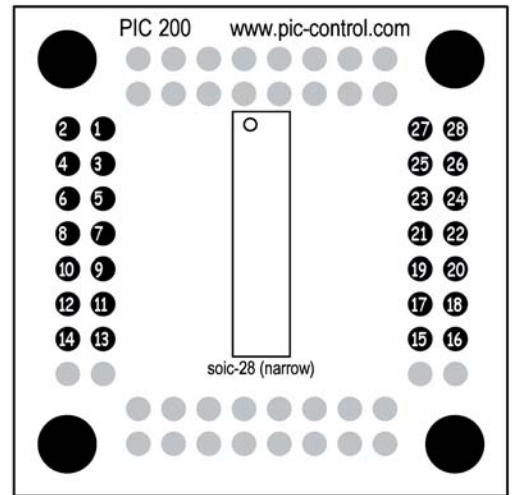
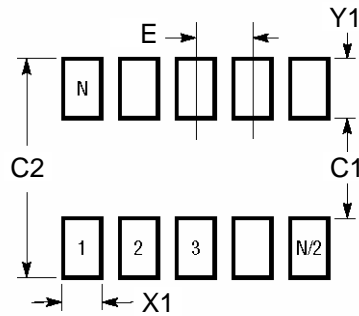
3.5. QFN-44, 44 pins, pitch 0.65mm



44-Lead Plastic Quad Flat, no lead package (ML) – 8x8mm Body [QFN]

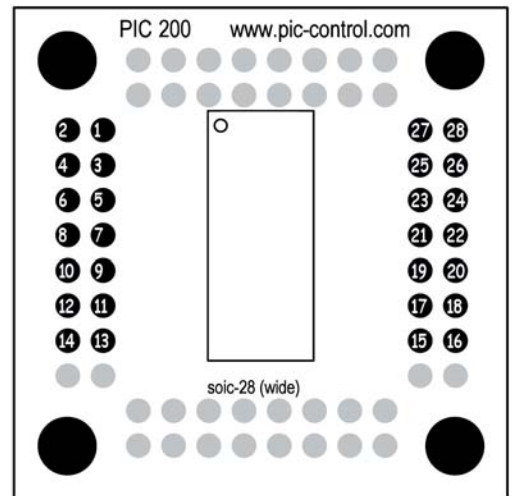
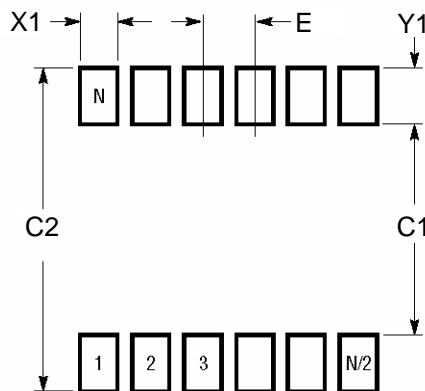
S/N	Dimension		Millimeters	Mils
1	Contact pitch	E	0.65	25.6
2	Optional center pad width	W2	6.80	267.7
3	Optional center pad length	T2	6.80	267.7
4	Contact pad spacing	C1	8.00	315.0
5	Contact pad spacing	C2	8.00	315.0
6	Contact pad width (X44)	X1	0.35	13.8
7	Contact pad length (X44)	Y1	0.80	31.5
8	Distance between pads	G	0.30	11.8

3.6. SOIC (wide/narrow), 16, 18, 20, 24, 28 pins, pitch 1.27mm



Lead Plastic Small Outline (SL) – Narrow, 3.90mm Body [SOIC]

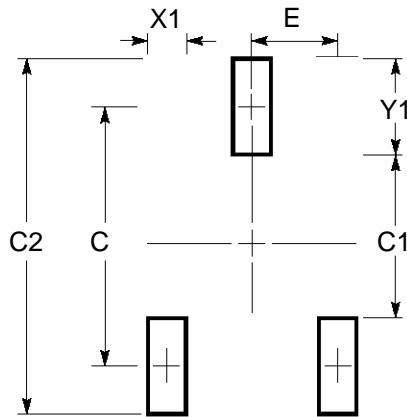
S/N	Dimension		Millimeters	Mils
1	Contact pitch	E	1.27	50
2	Contact pad inner width	C1	6.64	261.4
3	Contact pad outer width	C2	9.64	379.5
4	Contact pad width (X8)	X1	0.55	31.7
5	Contact pad length (X8)	Y1	1.50	59.1



Lead Plastic Small Outline (OI) – Wide, 7.50mm Body [SOIC]

S/N	Dimension		Millimeters	Mils
1	Contact pitch	E	1.27	50
2	Contact pad inner width	C1	8.80	346.5
3	Contact pad outer width	C2	11.80	464.6
4	Contact pad width (X8)	X1	0.55	31.7
5	Contact pad length (X8)	Y1	1.50	59.1

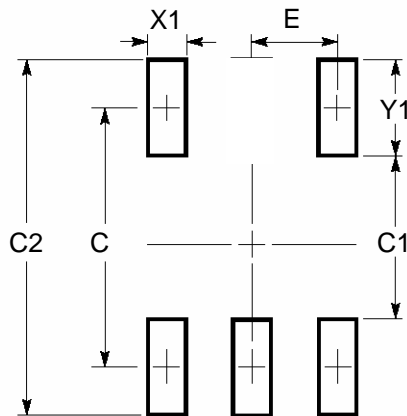
3.7. SOT-23, 3L pins, pitch 0.95mm



SOT-23, 3L

S/N	Dimension		Millimeters	Mils
1	Contact pitch	E	0.95	37.4
2	Contact pad inner width	C	2.20	86.6
3	Contact pad inner width	C1	1.14	44.9
4	Contact pad outer width	C2	3.26	128.3
5	Contact pad width (X8)	X1	0.65	25.6
6	Contact pad length (X8)	Y1	1.06	41.7

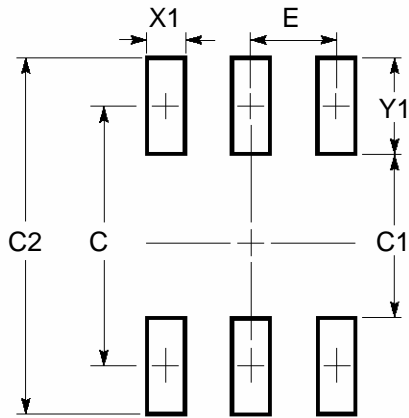
3.8. SOT-23, 5L pins, pitch 0.95mm



SOT-23, 5L

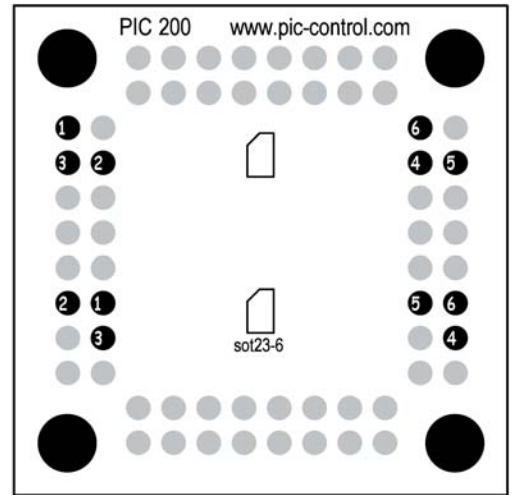
S/N	Dimension		Millimeters	Mils
1	Contact pitch	E	0.95	37.4
2	Contact pad inner width	C	2.20	86.6
3	Contact pad inner width	C1	1.14	44.9
4	Contact pad outer width	C2	3.26	128.3
5	Contact pad width (X8)	X1	0.65	25.6
6	Contact pad length (X8)	Y1	1.06	41.7

3.9. SOT-23, 6L pins, pitch 0.95mm

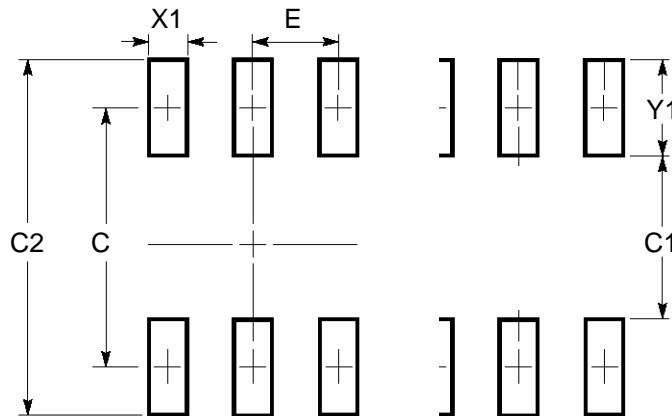


SOT-23, 6L

S/N	Dimension		Millimeters	Mils
1	Contact pitch	E	0.95	37.4
2	Contact pad inner width	C	2.20	86.6
3	Contact pad inner width	C1	1.14	44.9
4	Contact pad outer width	C2	3.26	128.3
5	Contact pad width (X8)	X1	0.65	25.6
6	Contact pad length (X8)	Y1	1.06	41.7

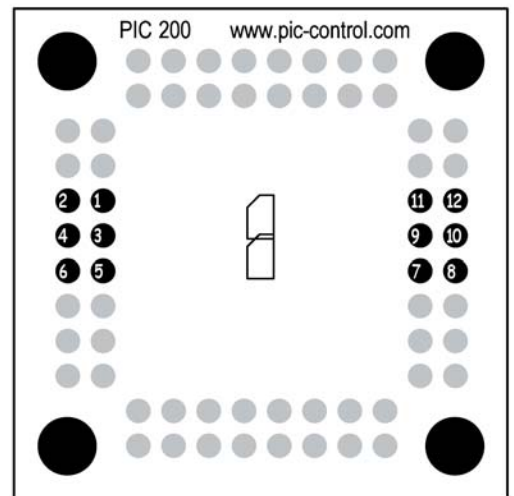


3.10. SOT-23, 12L pins, pitch 0.95mm



SOT-23, 12L

S/N	Dimension		Millimeters	Mils
1	Contact pitch	E	0.95	37.4
2	Contact pad inner width	C	2.20	86.6
3	Contact pad inner width	C1	1.14	44.9
4	Contact pad outer width	C2	3.26	128.3
5	Contact pad width (X8)	X1	0.65	25.6
6	Contact pad length (X8)	Y1	1.06	41.7



4. Specifications & Features

Size 36 x 36 x 1.8mm, L x W x H (± 0.5 mm)

Weight 5g (± 0.5 g)

Accessories

Header

Vendor: **Farnell**



Single row vertical header 2.54mm pitch (8 pins) x 8pcs

- Farnell code 329-1728
- Farnell code 511-754
- Farnell code 512-084



Dual row vertical header 2.54mm pitch (16 pins) x 4pcs

- Farnell code 329-1996
- Farnell code 511-821
- Farnell code 512-140
- Farnell code 624-639

Other compatible header 2.54mm pitch

- Farnell code 535-102



www.pic-control.com
PIC-CONTROL
sales@pic-control.com